

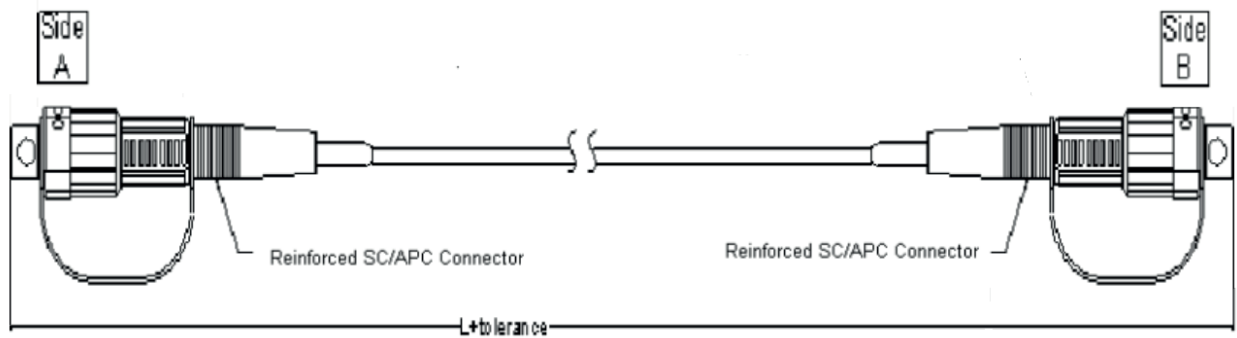


ONECLICK



DISTRIBUTION CABLE 5.0

AR-1-DIST5.0-HC-HC-1F-
G657A2-TE-xxM



1. DESCRIPTION

This product is an optical single mode G657A2 Distribution Cable 5.0 with a Reinforced SC/ APC Connector at Side A and Side B. The connector ferrule is made of Zirconia. Cable construction: 5.0mm AR-1-DIST5.0-HC-HC-1F-G657A2-TE xxM cable.

2. AVAILABLE VARIANTS

Type	Length(m)
AR-1-DIST5.0-HC-HC-1F-G657A2-TE - xxM	xx
AR-1-DIST5.0-HC-HC-1F-G657A2-TE - 50M	50
AR-1-DIST5.0-HC-HC-1F-G657A2-TE - 80M	80
AR-1-DIST5.0-HC-HC-1F-G657A2-TE - 150M	150
AR-1-DIST5.0-HC-HC-1F-G657A2-TE - 250M	250
AR-1-DIST5.0-HC-HC-1F-G657A2-TE - 300M	300

Length (m)	Tolerances (mm)
$L \leq 100$	+500/0
$100 < L \leq 300$	+1000/0
$L > 300$	+1%L/0

3. PARTS

Connector Side A	Reinforced SC/APC Connector, per IEC 61754-4
Connector Side B	Reinforced SC/APC Connector, per IEC 61754-4
Cable	AR-1-DIST5.0-HC-HC-1F-G657A2-TE-xxM

4. OPTICAL DATA

Fiber Cable

Fiber	1 fiber	
Fiber count	$\leq 0.4\text{dB} / \text{km}$	$\lambda = 1310\text{nm}$
Cable attenuation	$\leq 0.3\text{dB} / \text{km}$	$\lambda = 1550\text{nm}$

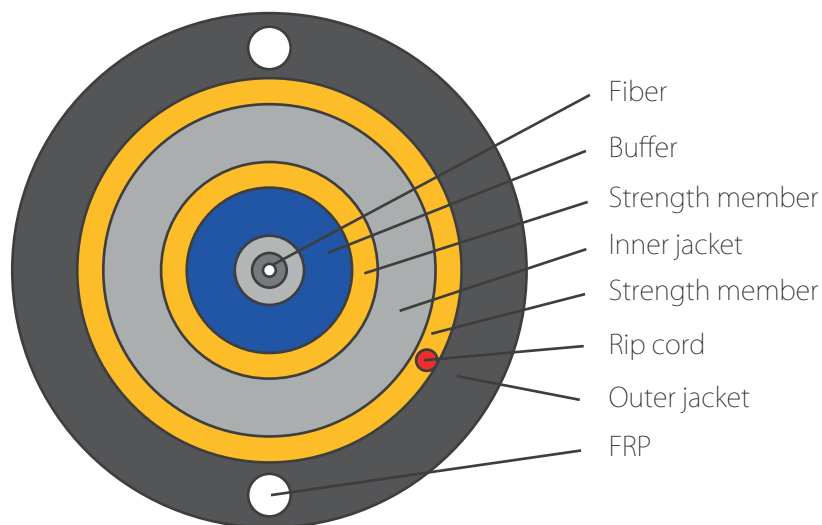
G657A2 single mode

Cable assembly

Insertion loss	Max. $0.3\text{ dB} + 0.4\text{ dB} / \text{km} * L\text{ (km)}$ @ 1310nm Max. $0.3\text{ dB} + 0.3\text{ dB} / \text{km} * L\text{ (km)}$ @ 1550nm According to IEC 61300-3-4 Method B
Return Loss	Min. 55 dB @ 1310&1550nm

5. CABLE STRUCTURE

Outer diameter $5.0 \pm 0.2\text{mm}$



6. MECHANICAL DATA

Test Item	Test method	Requirement
Tensile Strenght	IEC 60794-1-E1 (1000N for 1h)	Fiber elongation \leq 0.36% Residual elongation \leq 0.05% Attenuation change \leq 0.1dB @1550nm
Crush	IEC 60794-1-E3 (1000N/100nm in 15 minutes)	Attenuation change \leq 0.10dB @1550nm
Impact	IEC 60794-1-2-E4 (5N.m impact and D=300mm)	Attenuation change \leq 0.10dB @1550nm
Torsion	IEC 60794-1-2-E7 (25N load and 10 cycles)	Attenuation change \leq 0.10dB @1550nm
Repeat Bending	IEC 60794-1-2-E6 (D=100mm and 55N load, 25 cycles)	Attenuation change \leq 0.10dB @1550nm
Temperature Range	IEC 60794-1-2-F1 (-15 °C ~ +65 °C)	Attenuation change \leq 0.2dB @1550nm
Water penetration	IEC 60794-1-2-F5A (3m lenght, 1m height, 24hrs)	No leakage of water
Jacket shrinkage	EIA-RS-455-86 (85°C, 4Hrs)	\leq 5.0%
RoHS (2011/65/EU)	Compliant	

7. ENVIRONMENTAL DATA

Operation temperature	-20 °C to +70 °C
Storage temperature	-25 °C to +75 °C
Installation temperature	-5 °C to +50 °C

8. PACKING

Standard, 1 pc in a roll or customer's requirements.