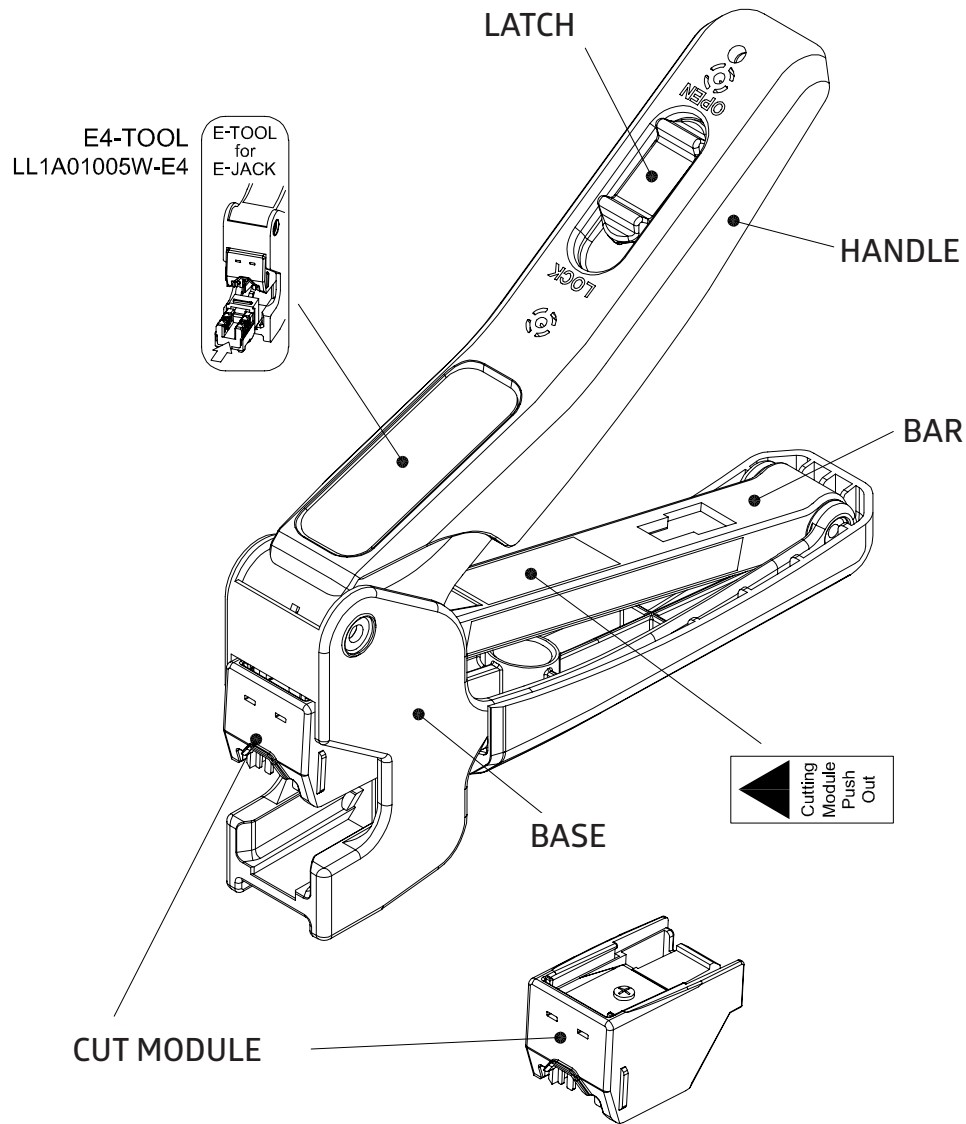
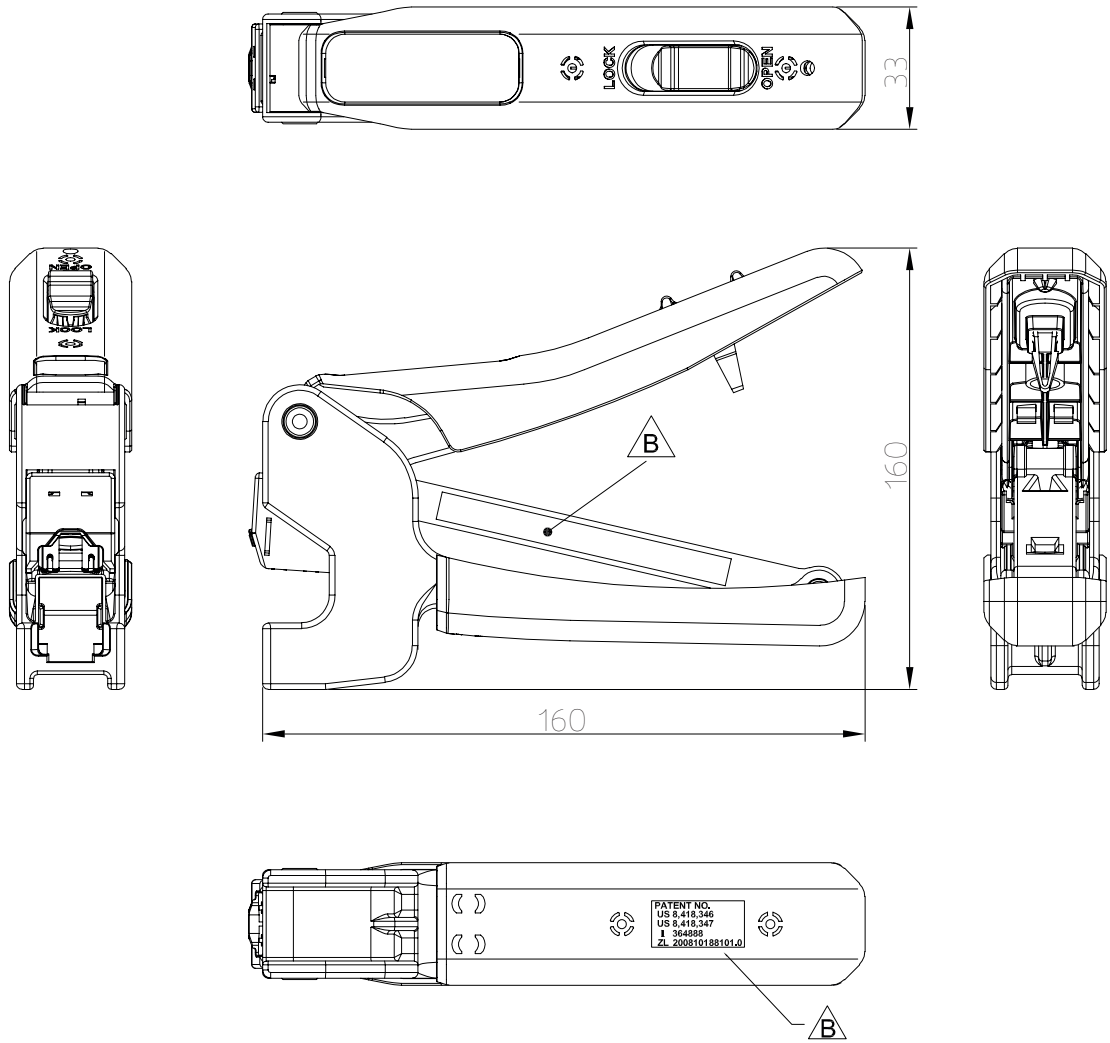




QUICK TOOL
AR-3083





Unless Otherwise Specified		
INCH	MM	ANGULAR
.X ± .016	.X ± .02	.X ± 1°
.XX ± .008	.XX ± .01	.X ± .5°
.XXX ± .004		
Material		
Surface		
Finish		
Scale	1:2	
Unit	mm	