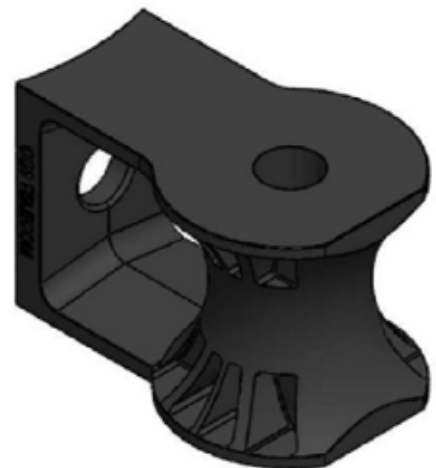




# Dielectric Nylon Bracket for Anchoring

AR-DBA-1000



## 1. Scoop:

A structural device designed to facilitate secure fastening and anchoring in various industrial applications, particularly in sectors such as construction, telecommunications, and infrastructure assembly.

## 2. Body Material:

- Nylon 6 Hydrated

## 3. Tensile Strength:

- $\geq 1000\text{kgf}$

